

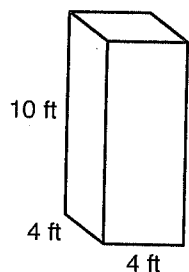
Name: _____

THURSDAY
NIGHT

I did the
Tenmarks web
assignment
last night.

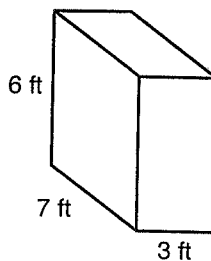
Find the volume of each prism.

(9)



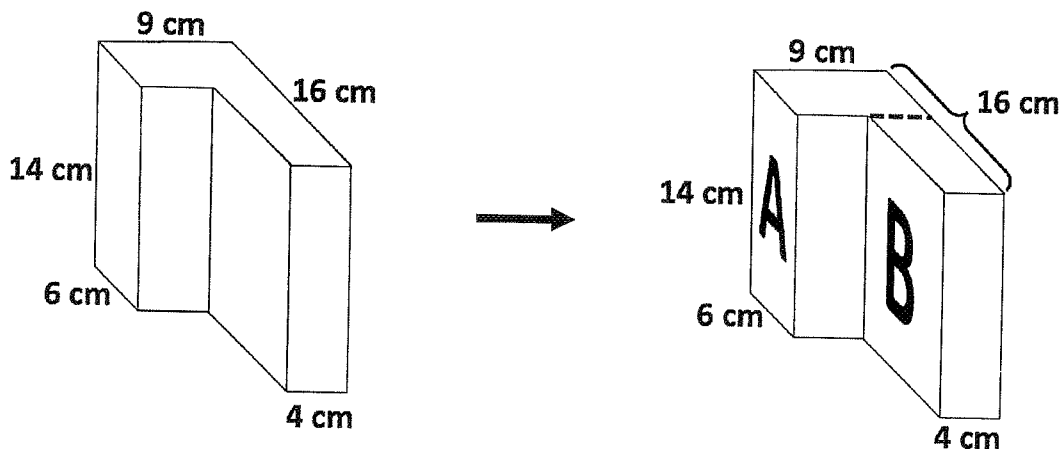
Volume: _____

(12)



Volume: _____

Hannah was asked to find the volume of the irregular figure below. She divided it into two rectangular prisms (as shown) to find the volume of the complete figure.



Write equations that Hannah could use to find the volumes (V) of prisms A and B.

V of Prism A = _____

V of Prism B = _____

Find the difference. Show your thinking.

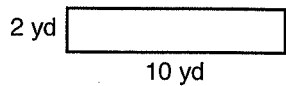
(1) $9\frac{1}{7} - \frac{25}{28} =$

5.6 - 3.82 =

3.8 - 0.36 =

Find the area and perimeter of both rectangles.

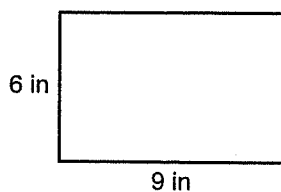
(2)



Perimeter: _____

Area: _____

(6)



Perimeter: _____

Area: _____

3. $\frac{3}{5} \times \frac{3}{4}$

7. $\frac{1}{3} \times \frac{5}{6}$

11. $\frac{1}{2} \times \frac{5}{6}$

(9) $\frac{1}{11} \times 6 =$

(10) $8 \times \frac{3}{8} =$

(11) $2 \times \frac{1}{2} =$

(12) $\frac{1}{4} \times 7 =$

(17) $2\frac{5}{6} \times \frac{2}{5} =$

(18) $3\frac{7}{8} \times \frac{3}{4} =$