

Name: \_\_\_\_\_

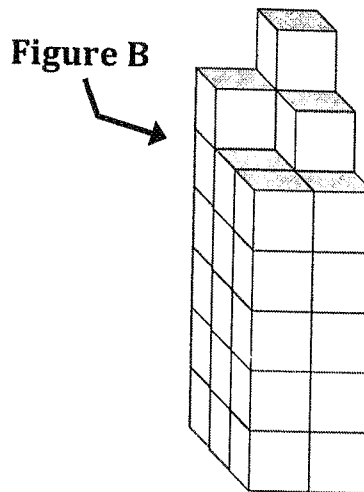
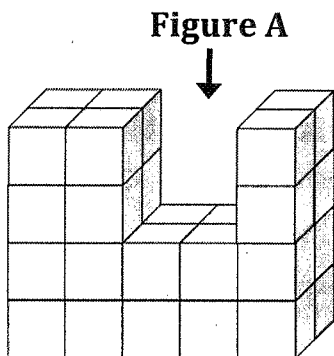
THURSDAY  
NIGHT

I did the Tenmarks web assignment last night.

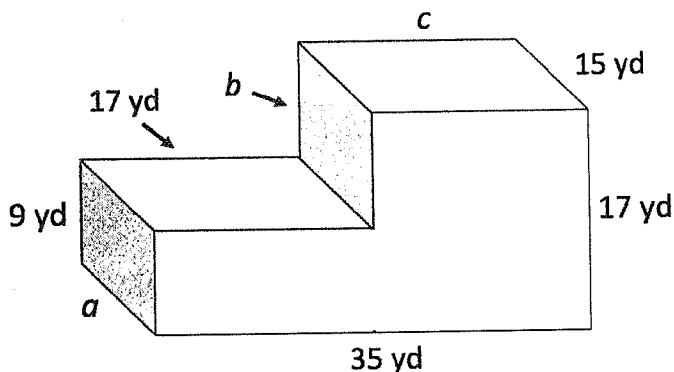
The figures to the right were built using blocks measuring 1 cubic centimeter.

Figure out which figure has the larger volume and then identify the volume of that figure.

figure \_\_\_\_\_ = \_\_\_\_\_ cubic cm



The figure shown to the right is made up of two rectangular prisms. Use the labeled edge lengths to figure out the lengths of edges  $a$ ,  $b$ , and  $c$ . Then, explain how you figured out the length of edge  $c$ .



$a = \underline{\hspace{1cm}}$  yd     $b = \underline{\hspace{1cm}}$  yd     $c = \underline{\hspace{1cm}}$  yd

Find the difference. Show your thinking.

4.16 - 0.5 =

3 - 2.45 =

6.58 - 3 =

8.3 - 4.68 =

Find the quotients. Do at least three.

$$3 \overline{)96}$$

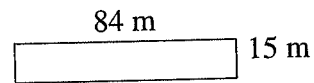
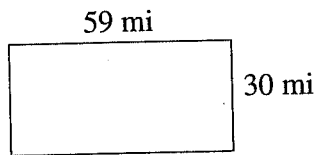
$$6 \overline{)330}$$

$$7 \overline{)238}$$

$$4 \overline{)220}$$

$$4 \overline{)152}$$

Find the area and perimeter of both rectangles.



Area = \_\_\_\_\_

Area = \_\_\_\_\_

Perimeter = \_\_\_\_\_

Perimeter = \_\_\_\_\_