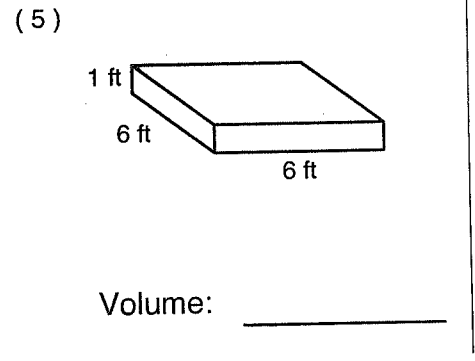
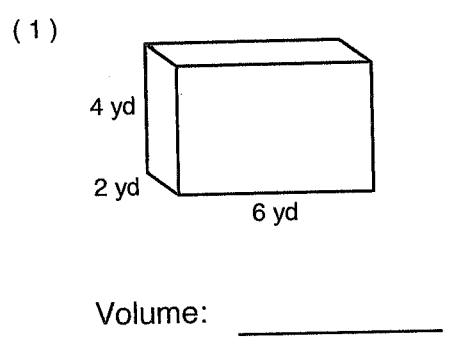


Name: _____

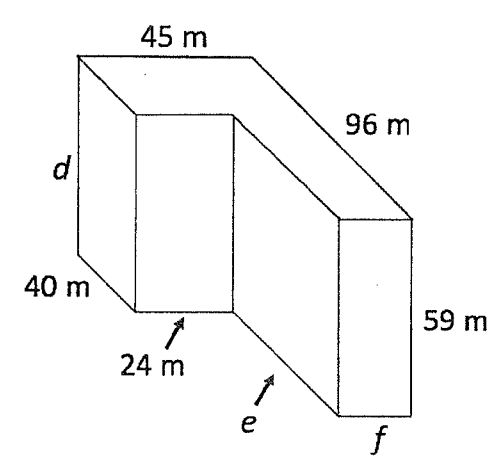
MONDAY
NIGHT

I did the
Tenmarks web
assignment
last night.

Calculate the volume of each solid.



The figure shown to the right is made up of two rectangular prisms. Use the labeled edge lengths to figure out the lengths of edges d , e , and f . Then, explain how you figured out the length of edge f .



$d = \underline{\quad} \text{ m} \quad e = \underline{\quad} \text{ m} \quad f = \underline{\quad} \text{ m}$

Find the difference. Show your thinking.

(4) $3\frac{5}{24} - \frac{5}{6} =$

$10.04 - 4.6 =$

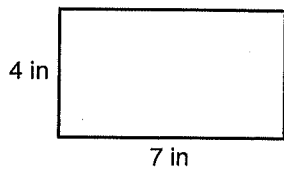
$7.8 - 0.07 =$

$6 - 4.5 =$

$20.5 - 8.43 =$

Find the area and perimeter of both rectangles.

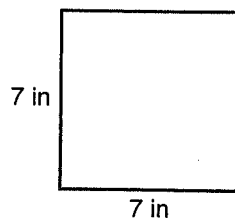
(4)



Perimeter: _____

Area: _____

(8)



Perimeter: _____

Area: _____

2. $\frac{4}{9} \times \frac{2}{3}$

6. $\frac{5}{11} \times \frac{1}{3}$

10. $\frac{1}{8} \times \frac{1}{4}$

(17) $\frac{4}{5} \times 3 =$

(18) $\frac{2}{5} \times 3 =$

(19) $7 \times \frac{4}{5} =$

(20) $6 \times \frac{4}{11} =$

(13) $3\frac{1}{2} \times \frac{7}{8} =$

(14) $\frac{4}{5} \times 1\frac{4}{7} =$