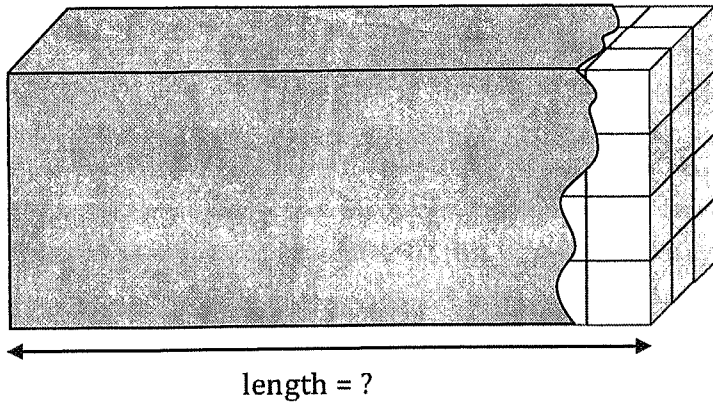


Name: _____

WEDNESDAY
NIGHT

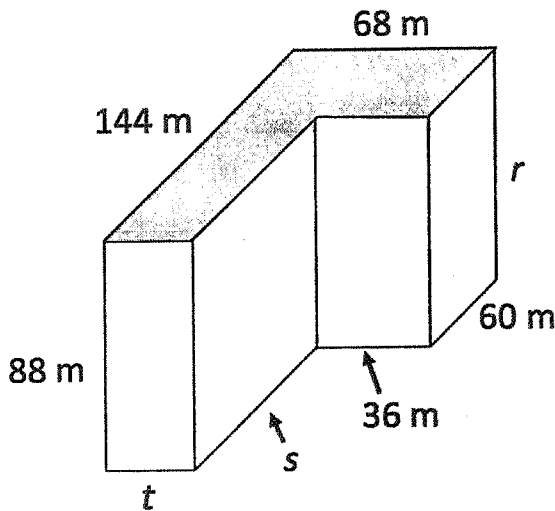
I did the
Tenmarks web
assignment
last night.



Sophia built a rectangular prism (*left*) out of blocks that are 1 cubic centimeter. She then painted part of the prism.

If Sophia's prism has a volume of 120 cubic centimeters, what is her prism's length?

Each figure below is made up of two rectangular prisms. Use the labeled edge lengths to find the unknown lengths. NOTE: Figures are not to scale.



$r =$ _____

$s =$ _____

$t =$ _____

Find the difference. Show your thinking.

$6.21 - 4.2 =$

$8.7 - 2.74 =$

$15 - 0.04 =$

$3.4 - 0.46 =$

Find the quotients. Do at least three.

$$1 \overline{)25}$$

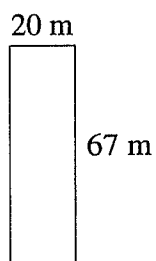
$$8 \overline{)320}$$

$$2 \overline{)142}$$

$$9 \overline{)207}$$

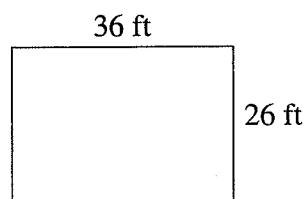
$$6 \overline{)252}$$

Find the area and perimeter of both rectangles.



Area = _____

Perimeter = _____



Area = _____

Perimeter = _____