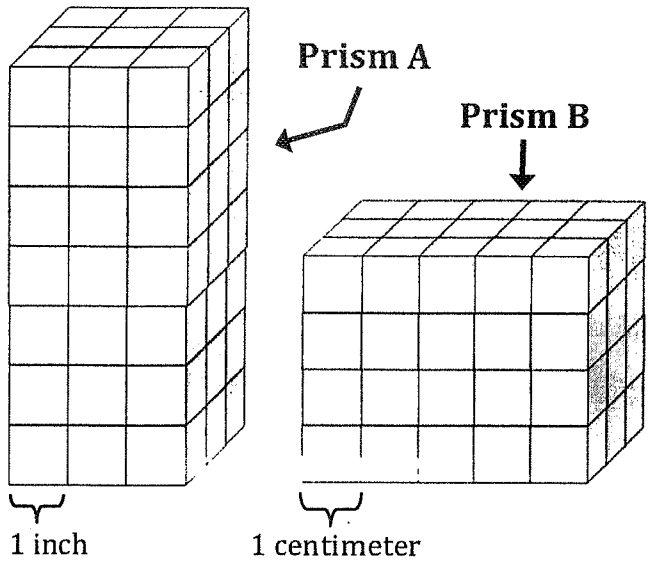


Name: _____

MONDAY
NIGHT

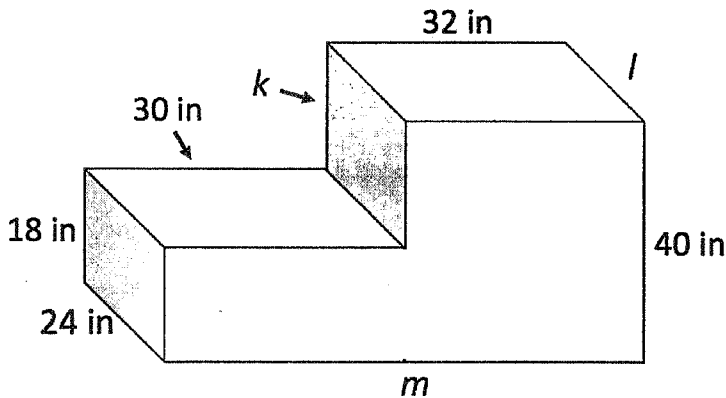
I did the
Tenmarks web
assignment



What is the volume of prism A?

What is the volume of prism B?

Each figure below is made up of two rectangular prisms. Use the labeled edge lengths to find the unknown lengths. NOTE: Figures are not to scale.



$k =$ _____

$l =$ _____

$m =$ _____

Find the difference. Show your thinking.

$9.7 - 7.18 =$

$5 - 4.17 =$

$9 - 2.5 =$

$6.06 - 2.47 =$

Find the quotients. Do at least three.

$$7 \overline{)434}$$

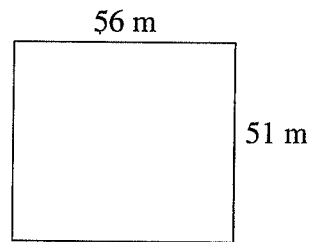
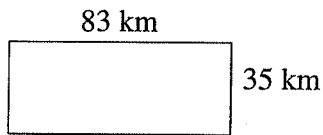
$$5 \overline{)165}$$

$$1 \overline{)77}$$

$$8 \overline{)680}$$

$$5 \overline{)340}$$

Find the area and perimeter of both rectangles.



Area = _____

Area = _____

Perimeter = _____

Perimeter = _____